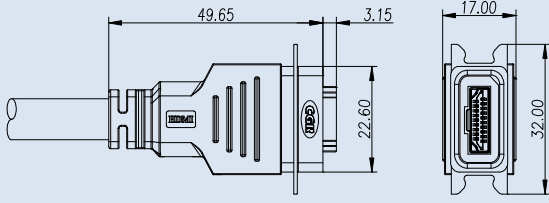


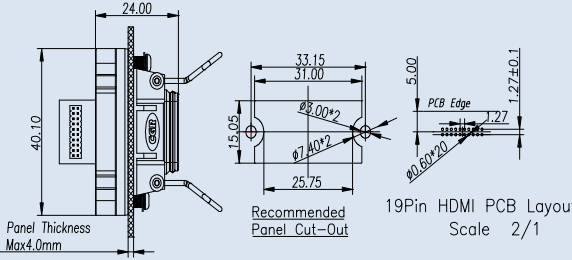
HDMI Series , Male Connector & Male Pin

Description	Field Installable, 180° Lock Type, Solder
Figure	

HDMI Series , Front Panel Mount & Female Pin

Description	Front Panel Lock Type, Solder
Figure	

Drawing	
---------	-----------------------------------------------------------------------------------

Drawing	
---------	------------------------------------------------------------------------------------

Part-No.	Contacts	Part-Number	Contacts	Part-Number
	19	32000000-01	19	32000000-02

Specifications

Number of Contacts	19
Wire Gauge	26AWG - 32AWG
Cable Range	5.5mm - 9.5mm
Environmental Protection	IP67
Mechanical Life	10000 mating cycles
Operating Temperature	- 40°C - 85°C
Contact Resistance	30mΩ
Voltage Rating	40V
Rated Current(40°C)	0.5A