




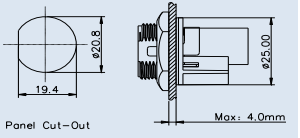
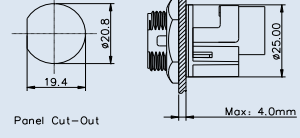
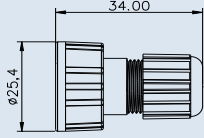
RJ45 SERIES

CHOGORI

RJ45 Series Specifications

RJ45 Series, Panel Front Mount

| | | | |
|-------------|---|---|---|
| Description | Panel Front Mount, 180° Screw Type, Jack | Panel Front Mount, 90° Screw Type, Jack | RJ45 Plug Screw Type, Field Installable |
| Figure |  |  |  |

| | | | |
|---------|---|--|---|
| Drawing |  |  |  |
|---------|---|--|---|

| | | | | | | |
|-------------|----------|-------------|----------|-------------|----------|-------------|
| Part Number | Contacts | Part Number | Contacts | Part Number | Contacts | Part Number |
| | 8 | 33000000-01 | 8 | 33000000-02 | 0 | 33000000-03 |




| Specifications | | | |
|--------------------------|-------------------|------------|----------------------------|
| Number of Contacts | 8 | | 0 |
| Wire Gauge | 24AWG | | |
| Panel Thickness | Max. 4.0mm | Max. 4.0mm | Cable Range: 4.0mm - 7.0mm |
| Environmental Protection | IP67 | | |
| Mechanical Life | 500 mating cycles | | |
| Operating Temperature | - 40°C - 85°C | | |

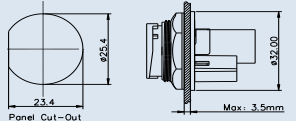
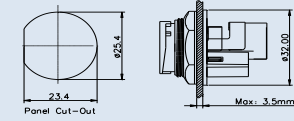
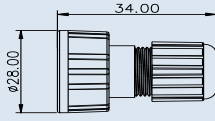
RJ45 SERIES

CHOGORI

RJ45 Series Specifications

RJ45 Series, Panel Front Mount

| | | | |
|-------------|---|---|---|
| Description | Panel Front Mount, 180° Lock Bayonet Type, Jack | Panel Front Mount, 90° Lock Bayonet Type, Jack | Lock Bayonet Type, Field Installable |
| Figure |  |  |  |

| | | | |
|---------|---|--|---|
| Drawing |  |  |  |
|---------|---|--|---|

| | | | | | | |
|-------------|----------|-------------|----------|-------------|----------|-------------|
| Part Number | Contacts | Part Number | Contacts | Part Number | Contacts | Part Number |
| | 8 | 33000000-04 | 8 | 33000000-05 | 0 | 33000000-06 |




| Specifications | | | |
|--------------------------|-------------------|------------|----------------------------|
| Number of Contacts | 8 | | 0 |
| Wire Gauge | 24AWG | | |
| Panel Thickness | Max. 4.0mm | Max. 4.0mm | Cable Range: 4.0mm - 7.0mm |
| Environmental Protection | IP67 | | |
| Mechanical Life | 500 mating cycles | | |
| Operating Temperature | - 40°C - 85°C | | |

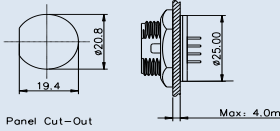
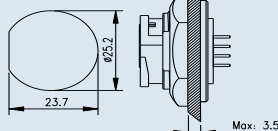
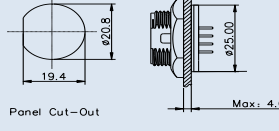
RJ45 SERIES

CHOGORI

RJ45 Series Specifications

RJ45 Series, Panel Front Mount

| | | | |
|-------------|---|--|---|
| Description | Panel Front Mount, Screw Type, PCB | Panel Front Mount, Lock Bayonet Type, PCB | Panel Front Mount, Screw(Metal) Type, PCB |
| Figure |  |  |  |

| | | | |
|---------|---|--|---|
| Drawing |  <p>Panel Cut-Out</p> <p>Max.: 4.0mm</p> |  <p>Panel Cut-out</p> <p>Max.: 3.5mm</p> |  <p>Panel Cut-Out</p> <p>Max.: 4.0mm</p> |
|---------|---|--|---|

| Part Number | <table border="1"> <thead> <tr> <th>Contacts</th> <th>Part Number</th> </tr> </thead> <tbody> <tr> <td>8</td> <td>33000000-07</td> </tr> </tbody> </table> | Contacts | Part Number | 8 | 33000000-07 | <table border="1"> <thead> <tr> <th>Contacts</th> <th>Part Number</th> </tr> </thead> <tbody> <tr> <td>8</td> <td>33000000-08</td> </tr> </tbody> </table> | Contacts | Part Number | 8 | 33000000-08 | <table border="1"> <thead> <tr> <th>Contacts</th> <th>Part Number</th> </tr> </thead> <tbody> <tr> <td>8</td> <td>33000000-09</td> </tr> </tbody> </table> | Contacts | Part Number | 8 | 33000000-09 |
|-------------|--|----------|-------------|---|-------------|--|----------|-------------|---|-------------|--|----------|-------------|---|-------------|
| Contacts | Part Number | | | | | | | | | | | | | | |
| 8 | 33000000-07 | | | | | | | | | | | | | | |
| Contacts | Part Number | | | | | | | | | | | | | | |
| 8 | 33000000-08 | | | | | | | | | | | | | | |
| Contacts | Part Number | | | | | | | | | | | | | | |
| 8 | 33000000-09 | | | | | | | | | | | | | | |

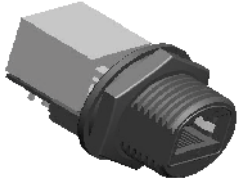


| Specifications | | |
|--------------------------|-------------------|------------|
| Number of Contacts | 8 | |
| Wire Gauge | 24AWG | |
| Panel Thickness | Max. 4.0mm | Max. 4.0mm |
| Environmental Protection | IP67 | IP67 |
| Mechanical Life | 500 mating cycles | |
| Operating Temperature | - 40°C - 85°C | |

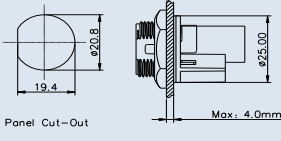
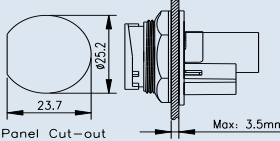
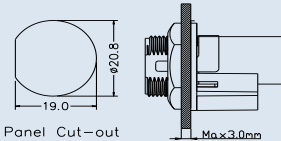
RJ45 SERIES

CHOGORI

RJ45 Series Specifications

RJ45 Series, Panel Front Mount

| | | | |
|-------------|---|---|---|
| Description | Panel Front Mount, 180° Screw Type, Jack | Panel Front Mount, 180° Lock Bayonet Type, Jack | Panel Front Mount, 180° Screw(Metal) Type, Jack |
| Figure |  |  |  |

| | | | |
|---------|--|---|--|
| Drawing |  <p>Panel Cut-out Max: 4.0mm</p> |  <p>Panel Cut-out Max: 3.5mm</p> |  <p>Panel Cut-out Max: 3.0mm</p> |
|---------|--|---|--|

| Part Number | <table border="1"> <tr> <th>Contacts</th> <th>Part Number</th> </tr> <tr> <td>8</td> <td>33000000-10</td> </tr> </table> | Contacts | Part Number | 8 | 33000000-10 | <table border="1"> <tr> <th>Contacts</th> <th>Part Number</th> </tr> <tr> <td>8</td> <td>33000000-11</td> </tr> </table> | Contacts | Part Number | 8 | 33000000-11 | <table border="1"> <tr> <th>Contacts</th> <th>Part Number</th> </tr> <tr> <td>8</td> <td>33000000-12</td> </tr> </table> | Contacts | Part Number | 8 | 33000000-12 |
|-------------|--|-------------|-------------|---|-------------|--|----------|-------------|---|-------------|--|----------|-------------|---|-------------|
| | Contacts | Part Number | | | | | | | | | | | | | |
| 8 | 33000000-10 | | | | | | | | | | | | | | |
| Contacts | Part Number | | | | | | | | | | | | | | |
| 8 | 33000000-11 | | | | | | | | | | | | | | |
| Contacts | Part Number | | | | | | | | | | | | | | |
| 8 | 33000000-12 | | | | | | | | | | | | | | |

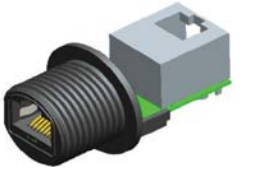


| Specifications | | |
|--------------------------|-------------------|------------|
| Number of Contacts | 8 | |
| Wire Gauge | 24AWG | |
| Panel Thickness | Max. 4.0mm | Max. 4.0mm |
| Environmental Protection | IP67 | IP67 |
| Mechanical Life | 500 mating cycles | |
| Operating Temperature | - 40°C - 85°C | |

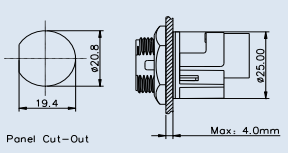
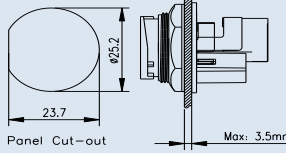
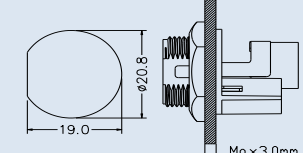
RJ45 SERIES

CHOGORI

RJ45 Series Specifications

RJ45 Series, Panel Front Mount

| | | | |
|-------------|---|---|---|
| Description | Panel Front Mount,90° Screw Type, Jack | Panel Front Mount,90° Lock Bayonet Type, Jack | Panel Front Mount,90° Screw(Metal) Type, Jack |
| Figure |  |  |  |

| | | | |
|---------|---|--|---|
| Drawing |  |  |  |
|---------|---|--|---|

| Part Number | <table border="1"> <tr> <th>Contacts</th> <th>Part Number</th> </tr> <tr> <td>8</td> <td>33000000-13</td> </tr> </table> | Contacts | Part Number | 8 | 33000000-13 | <table border="1"> <tr> <th>Contacts</th> <th>Part Number</th> </tr> <tr> <td>8</td> <td>33000000-14</td> </tr> </table> | Contacts | Part Number | 8 | 33000000-14 | <table border="1"> <tr> <th>Contacts</th> <th>Part Number</th> </tr> <tr> <td>8</td> <td>33000000-15</td> </tr> </table> | Contacts | Part Number | 8 | 33000000-15 |
|-------------|--|-------------|-------------|---|-------------|--|----------|-------------|---|-------------|--|----------|-------------|---|-------------|
| | Contacts | Part Number | | | | | | | | | | | | | |
| 8 | 33000000-13 | | | | | | | | | | | | | | |
| Contacts | Part Number | | | | | | | | | | | | | | |
| 8 | 33000000-14 | | | | | | | | | | | | | | |
| Contacts | Part Number | | | | | | | | | | | | | | |
| 8 | 33000000-15 | | | | | | | | | | | | | | |

Specifications

| | | | |
|--------------------------|-------------------|------------|------------|
| Number of Contacts | 8 | | 8 |
| Wire Gauge | 24AWG | | |
| Panel Thickness | Max. 4.0mm | Max. 4.0mm | Max. 4.0mm |
| Environmental Protection | IP67 | IP67 | IP67 |
| Mechanical Life | 500 mating cycles | | |
| Operating Temperature | - 40°C - 85°C | | |